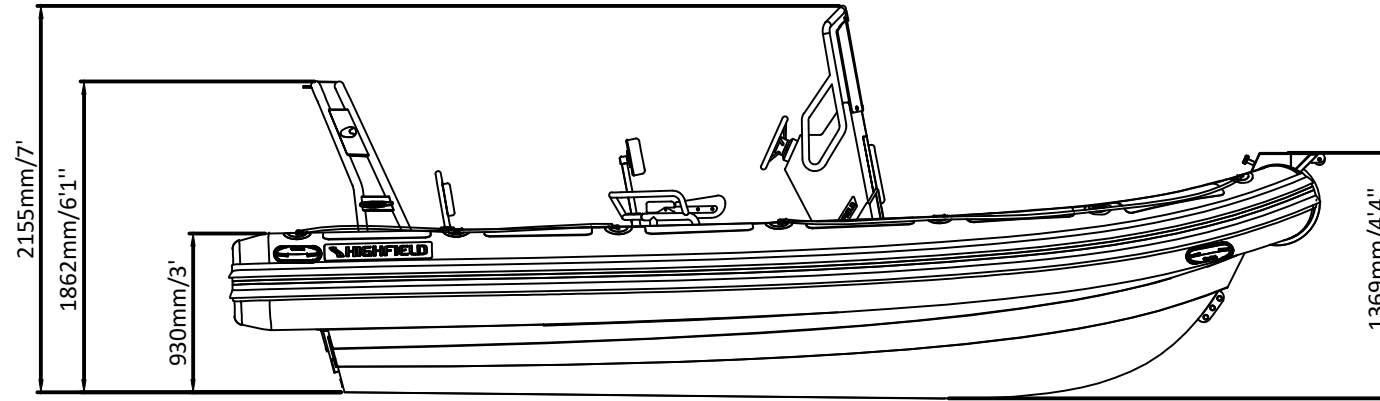
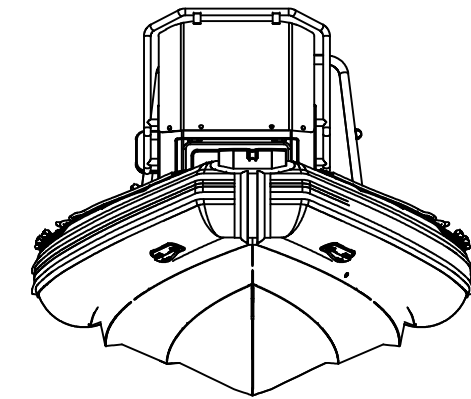
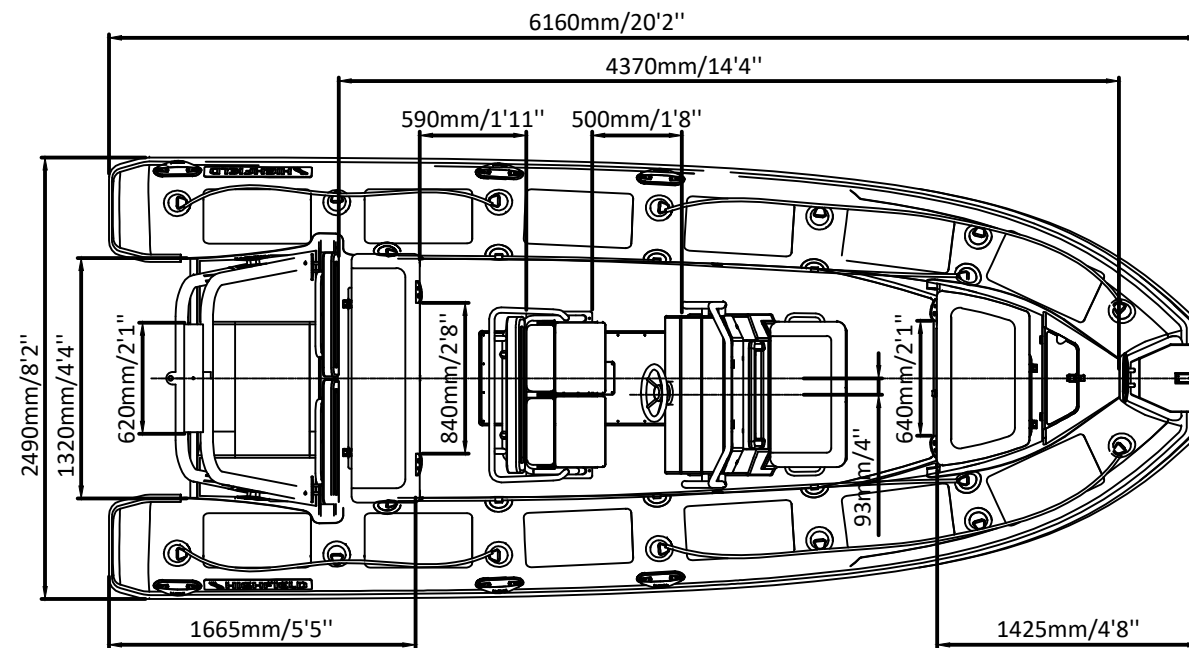
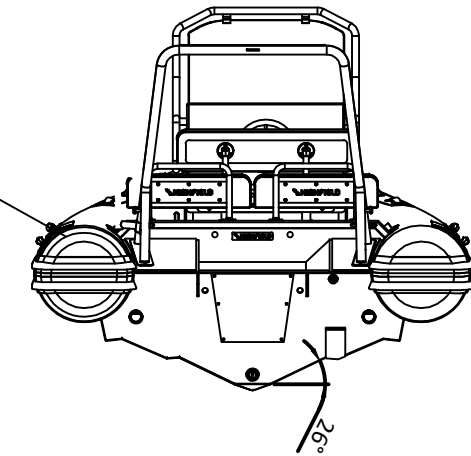


# PATROL 600SB

# SPECIFICATIONS



560-400mm/1'10"-1'4"



SPECIFICATIONS AND MAXIMUM CAPACITIES (Subject to change without notice. Tolerances: dimensions ±2.5%, weights ±5%)

MODEL	ISO 6185 PART	ISO 6185	Crew		#	Weight		Shaft	Outboard Engine		Shower kit		Fuel tank Capacity		Tow post		Rollbar		Wet Weight (Approximate) 100HP (74.6KW) +Fuel		AIR CHAMBERS	Pressure					
			KG	LB		KG	LB		KG	LB	L	GAL	KG	LB	KG	LB	KG	LB	PSI	BAR							
PA600 SB	3	C	1458	3214	14	1050	2315	XL	111.9	150	260.7	575	694	1530	14.4	31.7	140	37	/	/	16.5	36.4	1056.2	2328.5	6	3.63	0.25

Boat weight includes: console, seat, rollbar