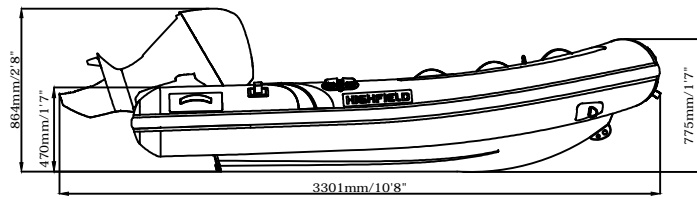
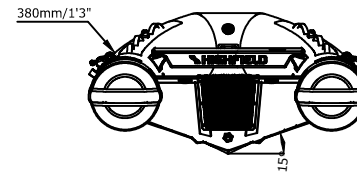


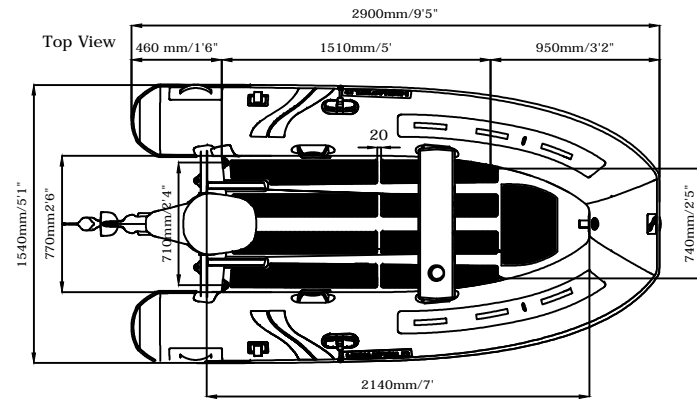
ULTRALITE 290 SPECIFICATIONS



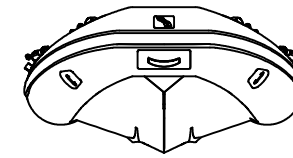
Side View



Rear View



Top View



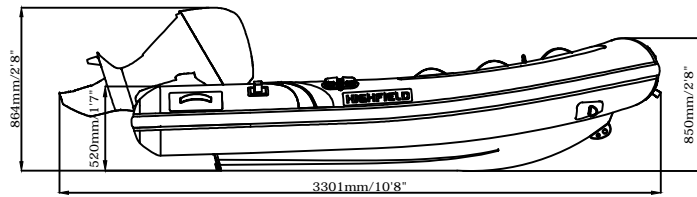
Front View

SPECIFICATIONS AND MAXIMUM CAPACITIES (Subject to change without notice. Tolerances: Dimensions +/-3% Weight +/-5%)

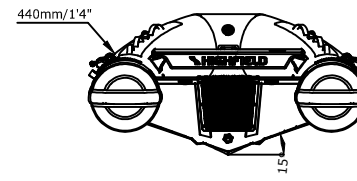
MODEL	LAW 4 5819 OSI	ISO 5819 OSI	Person		Person		Person		Maximum Speed						Wet Weight (Approximate) 10HP (7.46KW) +Fuel		AIR CHAMBERS							
			KG	LB	#	KG	LB	Length	KG	LB	Maximum		Recommended		KT	MPH	Km/h	KG	LB	PSI	BAR			
											KW	HP	KW	HP										
UL290	2	C	375	827	4	300	661	S	60	132	7.46	10	7.46	10	/	/	/	39	86	106.3	234	3	3.63	0.25

Weight: Boat only, not including molded seat, oars and other accessories.

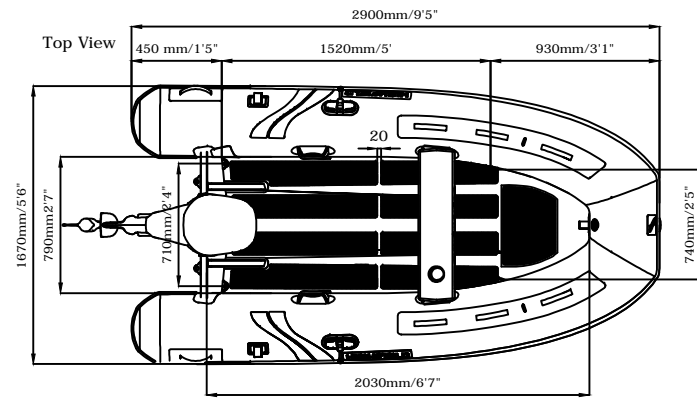
ULTRALITE 290LT SPECIFICATIONS



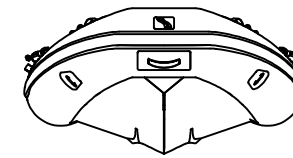
Side View



Rear View



Top View



Front View

SPECIFICATIONS AND MAXIMUM CAPACITIES (Subject to change without notice. Tolerances: Dimensions +/-3% Weight +/-5%)

MODEL	LAW 4 5819 OSI	ISO 6185 PART	Person		Person		Person		Maximum Speed						Wet Weight (Approximate) 10HP (7.46KW) +Fuel		AIR CHAMBERS							
			KG	LB	#	KG	LB	Length	KG	LB	Maximum		Recommended		KT	MPH	Km/h	KG	LB	PSI	BAR			
											KW	HP	KW	HP										
UL290LT	2	C	375	827	4	300	661	S	60	132	7.46	10	7.46	10	/	/	/	50	110	117.3	259	3	3.63	0.25

Weight: Boat only, not including molded seat, oars and other accessories.